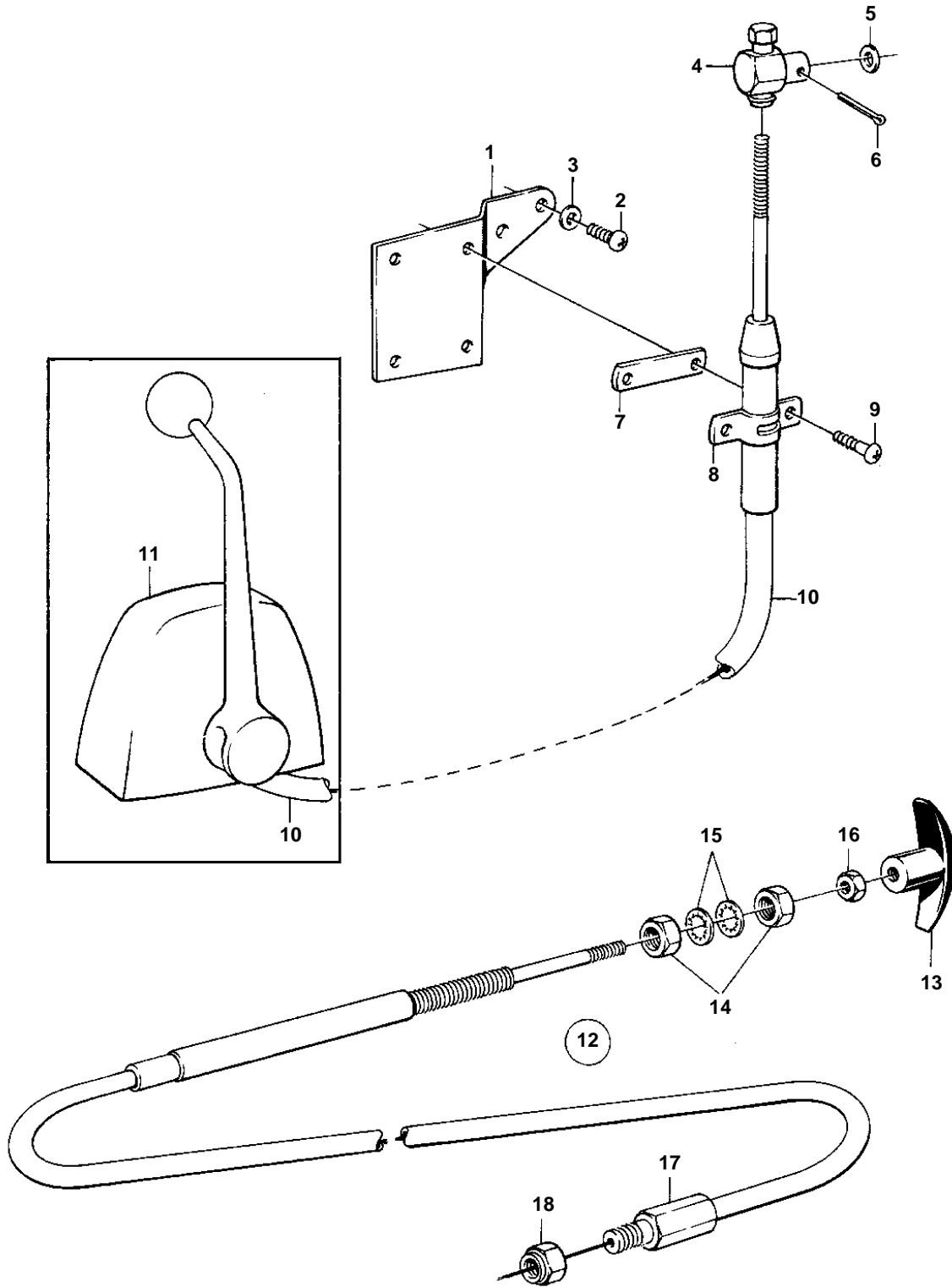


MB20C



29 44

MB20C

| REF | PART NO. | QTY | DESCRIPTION | NOTES |
|-----|----------|-----|----------------------|-------------|
| 1 | | 1 | Bracket | |
| 2 | | 2 | Cross recessed screw | |
| 3 | 941905 | 2 | Spring washer | |
| 4 | 814078 | 1 | Cube | |
| 5 | 940191 | 1 | Washer | |
| 6 | 17276 | 1 | Split pin | |
| 7 | 819068 | 1 | Washer | |
| 8 | 21471054 | 1 | Bracket | |
| 9 | 831838 | 2 | Screw | |
| 10 | | X | CONTROL CABLE | SEE GROUP 9 |
| 11 | | X | CONTROL | SEE GROUP 9 |
| 18 | | 1 | Choke control | SEE GROUP 9 |